

InSwitch-R-L Linear auxiliary switch, retrofit

2 potential free contacts, adjustable on site, adaptable to **InRun** actuators

Subject to change!

Type	Technical data	Installation area
InSwitch-R-L	Auxiliary switch with 2 adjustable contacts, potential free	Safe area

Product views

InSwitch-R-L	Dimensions in mm	Wiring diagram	Adaption to actuator

Description

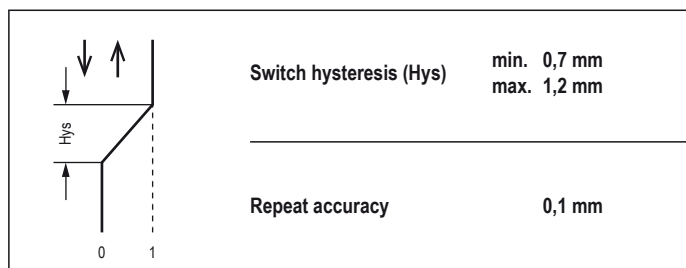
InSwitch-R-L are adaptable auxiliary switches for use in safe areas for end and interim position indication.

InSwitch-R-L have 2 potential free contacts installed in a housing which can be fitted directly to InRun actuators. Both contacts are adjustable. Adjustment during operation is possible. InSwitch-R-L are delivered with a cable of approx. 1 m. For electrical connection an appropriate terminal box is required (see accessories ...Box).

Approbations

IP protection switch	IP66 in acc. with EN 60529
IP protection housing	IP43 in acc. with EN 60529

Contact travel



Attention:
Protect cables against mechanical damage!



Accessories

InBox/SW...	Terminal box
MKK-S...	Mounting bracket

Technical data

Adaption to actuator	direct mounting to the actuator
Function	2 auxiliary switches with potential free contacts
Max. current AC/DC	24 VAC/DC, 3 A – 240 VAC, 0,5 A min. 5 V, 4 mA
Mechanical life	2×10^6 switch cycles
Cable connection	1 cable for each switch, approx. 1 m cable length, $3 \times 0,75 \text{ mm}^2$, cable diameter $\sim \varnothing 7,2 \text{ mm}$
Ambient temperature	$-50 \dots +60 \text{ }^\circ\text{C}$
Repeat accuracy	see contact travel (diagram)
Switch hysteresis	see contact travel (diagram)
Housing material	Stainless steel 1.4301
Housing material Switch	Plastic, Thermoplast
Material Switch	Changeover contacts silver, gold-plated
Delivery	1 housing with 2 integral auxiliary switches inclusive 1 switch adaption, 1 switch bracket with switch, 1 fitting screw with 2 shims, 1 connection nut, 1 damping washer, 1 cylinder bolt $\varnothing 5 \times 20 \text{ mm M3}$. For ...Run-75.100: additional 1 distance bolt

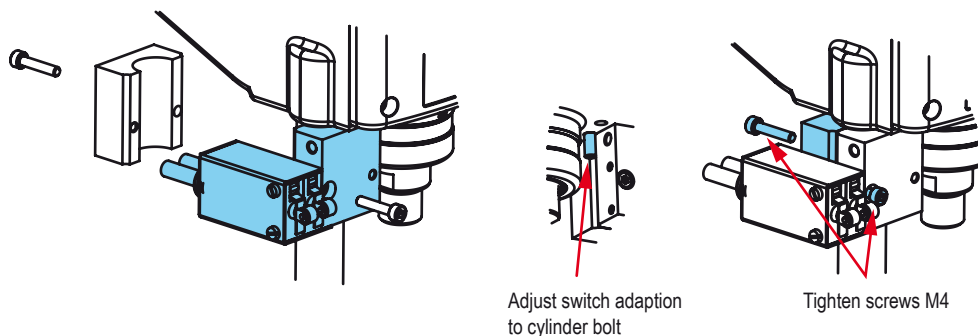
► Mounting of InSwitch-R-L on InRun-Ventilantrieb



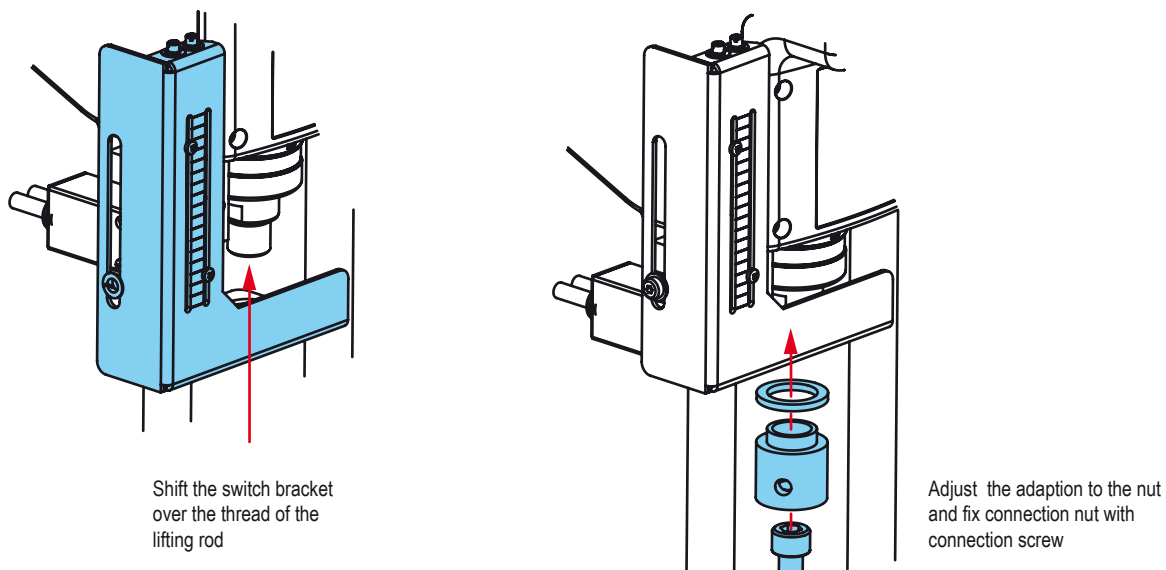
1. Insert cylinder bolt $\varnothing 5 \times 20$ mm



2. Adjust switch and adaption to cylinder bolt and screw to distance column



3. Tighten the bracket with nut, damping washer and connection screw to the thread of lifting rod



4. Tighten the fitting screw through the bearing of the bracket

